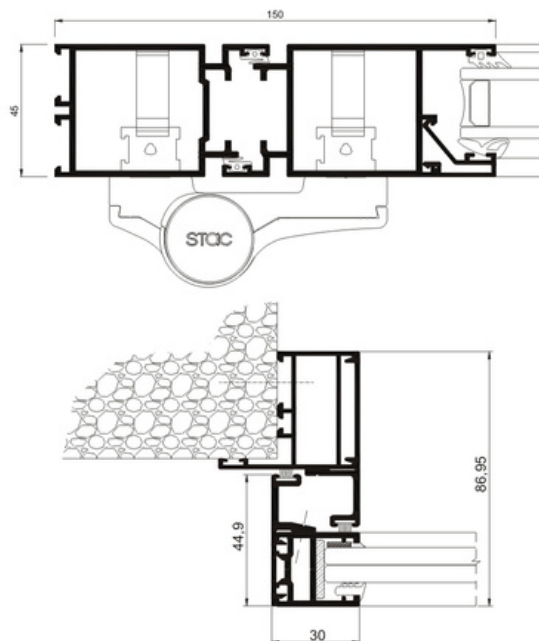


BASIC MILLENNIUM 2000 DOOR



ENERGY EFFICIENCY

Thermal Transmission Coefficient

U_w from 2.3 (W/m^2K)

Please consult typology, dimensions and glazing.

ACOUSTIC INSULATION

Maximum glazing: 30 mm

Maximum acoustic insulation: $R_w = 38dB$

CATEGORIES ACHIEVED AT TEST CENTRE

Resistance to soft body impact (UNE-EN 13049:2003): Class 5 (max)

Reference test door 1.80 x 2.20 m 2 sashes. Laminated glazing 3+3

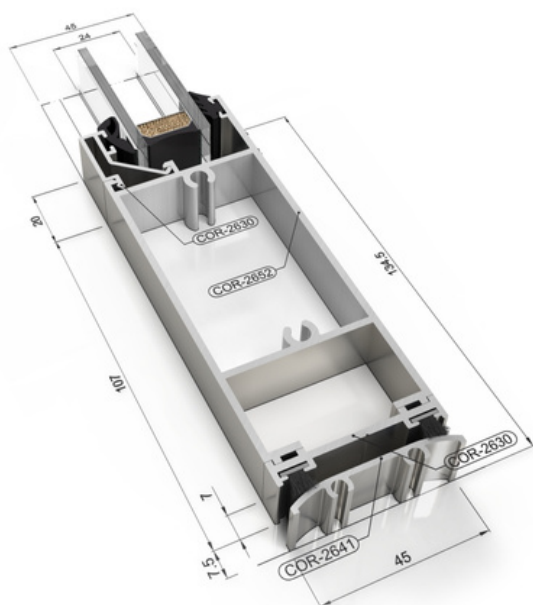
BASIC MILLENNIUM 2000 DOOR

SECTIONS	Frame 45 mm Sash 45 mm
PROFILE THICKNESS	Door 2.0 mm
MAXIMUM DIMENSIONS	Width (L) = 1,450 mm Height (H) = 3,000 mm <i>Side hung door</i> Width (L) = 1 sash 2,000 mm 2 sashes 3,000 mm Height (H) = 3,000 mm <i>Automatic sliding door</i> Width (L) = 1,100 mm Height (H) = 3,000 mm <i>Swinging door</i>
MAXIMUM WEIGHT/SASH	190 Kg 120 Kg (automatic version)

Please consult regarding maximum weight and dimensions according to types

FINISHES	<p>Colour powder coating (RAL, mottled, rough...) According to Qualicoat >60 microns</p> <p>Wood effect powder coating According to Qualideco standard</p> <p>Anodized According to Ewwa Euras Standard Class 15 Optionally Class 20 and 25</p>
----------	--

EXTRUSION ALLOY	
6063 T-5	
GASKETS	
EPDM double gasket	
OPENING POSSIBILITIES	
INWARDS	Side hung 1 and 2 sashes
OUTWARDS	Side hung 1 and 2 sashes
SWINGING DOOR	1 or 2 sashes
AUTOM.	Inwards and outwards 1 sash side hung and 1 and sashes sliding door



TECHLINE
PROJECT DESIGN

Str. Păsărilor nr. 2
Moara Vlasiei, Ilfov
office@techline.ro
+40 767 444 000